



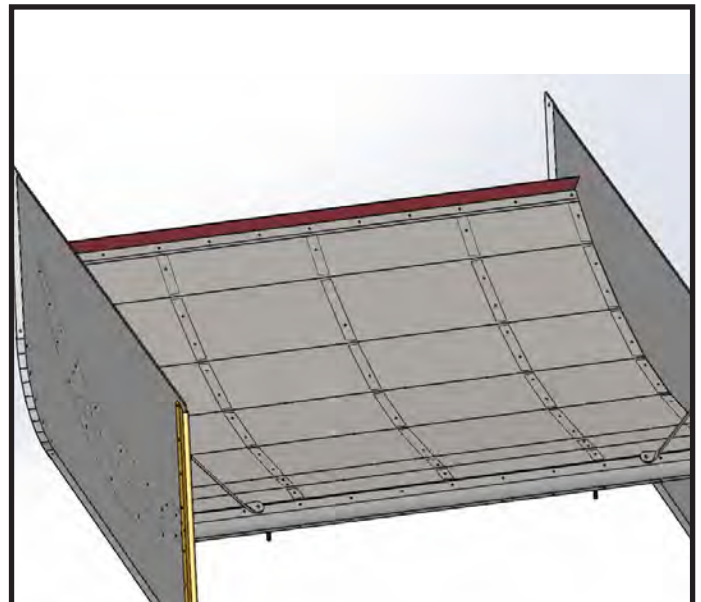
HRP NOSE WING ASSEMBLY INSTRUCTIONS FOR

DWF NOSE WING

MOST USED SPRINTCAR WING IN THE WORLD!



Wind Tunnel Tested
CAD Designed and Engineered
Tested with Air Flow Simulations
CNC Processed for Accuracy



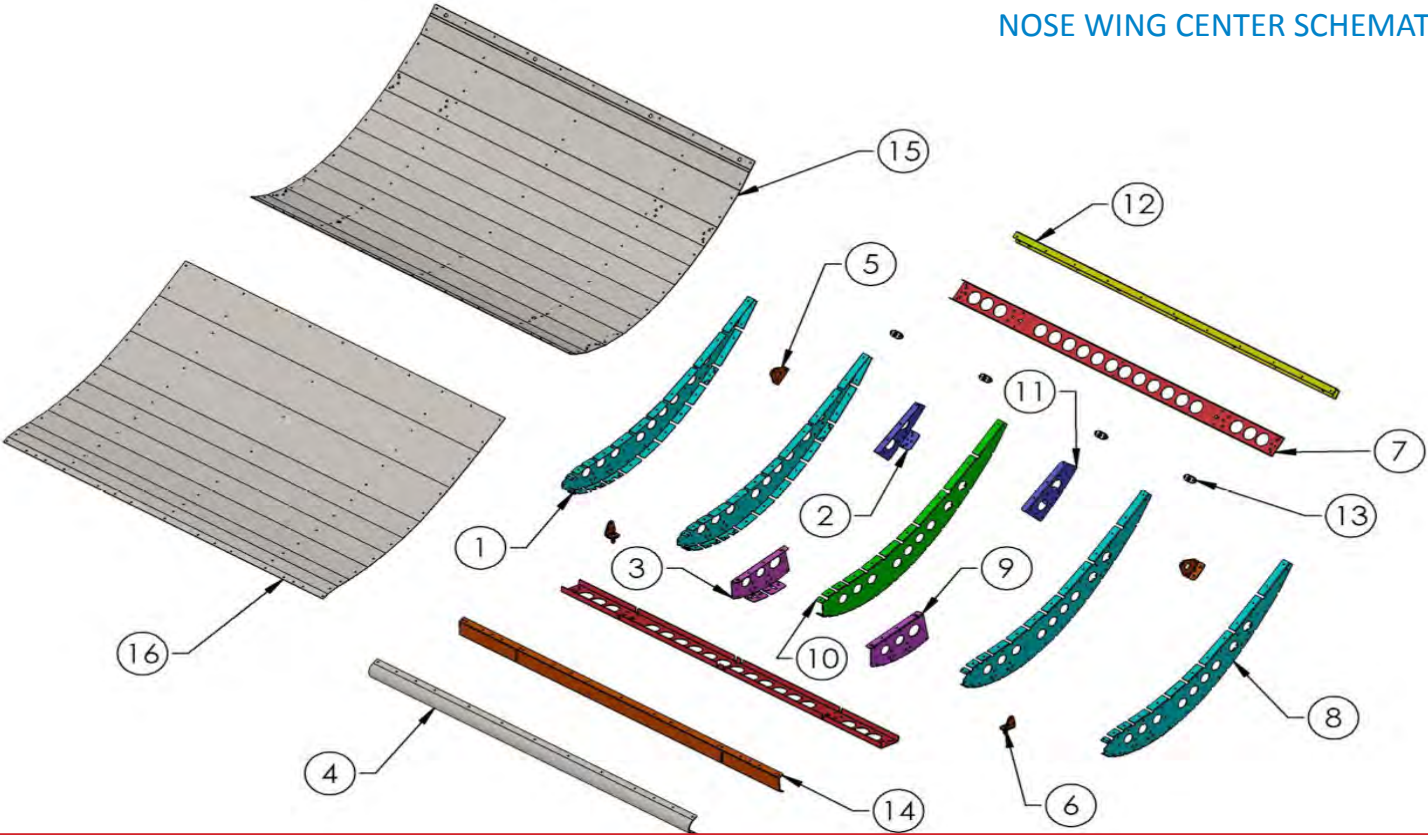
Please read these directions thoroughly and check for all parts before starting.

Contents

Table of Contents	2
Part Schematics	3
Nose Wing Checklist	4
Nose Wing Assembly	5 - 8
Side Board Attachment	9 - 10
Additional Information	11 - 12

Note: If a Specialty Side Board has been purchased, then read through the General Side Board Assembly Guide on pages 9 and 10 and assemble the specialty board similarly.

NOSE WING CENTER SCHEMATIC



PRE ASSEMBLY PARTS CHECK

Verify that all quantities of parts are included by first checking them off of the checklist on page 4



TOOLS NEEDED:

- Rivet Gun (1/8" & 3/16")
- Drill (1/8" & 3/16" Bits)
- Hammer
- Pin Punch
- Large Clean Work Area

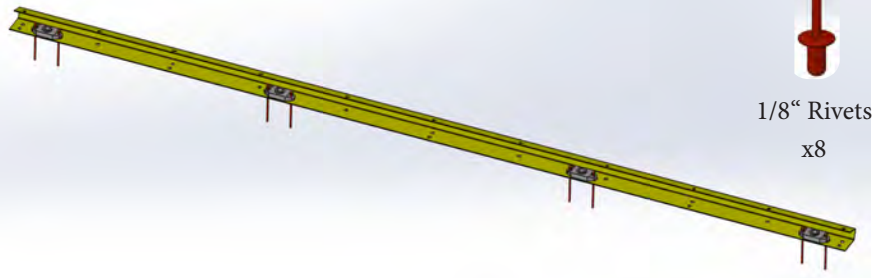
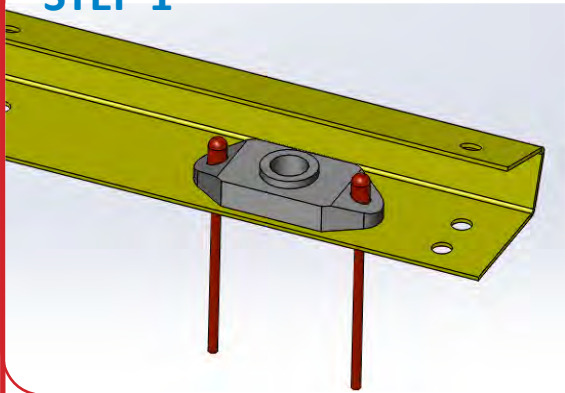
NOSE WING CENTER PARTS LIST

SKU #	HRP #	PART DESCRIPTION	QUA	CHECK
1	DWF1001-RH	RH DWF Profile	2	
2	DWF1010-B-RH	RH Back Bracket	1	
3	DWF1010-F-RH	RH Front Bracket	1	
4	DWF1017	Nose Cap	1	
5	DWF1007	Back Mount	2	
6	VFT1005	Front Mount	2	
7	DWF1006	Cross Bracket	2	
8	DWF1001-LH	LH DWF Profile	2	
9	DWF1010-F-LH	LH Front Bracket	1	
10	DWF1001-CTR	Center Profile	1	
11	DWF1010-B-LH	LH Back Bracket	1	
12	DWF1015	Back Edge	1	
13	85-35-295-15	D-ZEUS Clip	4	
14	DWF1016	Nose Backer	1	
15	DWF1024	Bottom Skin	1	
16	DWF1022	Top Skin	1	

HARDWARE PARTS LIST

HRP #	PART DESCRIPTION	QUA	CHECK
AD41-43BS	1/8" Rivet	215	
AD62-64BS	3/16" Rivet	40	
HRP0310	D-ZEUS Button	4	
1/4 - 20 Flange Nut	1/4 - 20 Nylock Flange Nut	2	
VFT1003	External Mount	4	
SHK9059-LH	LH Brace	1	
SHK9059-RH	RH Brace	1	
SKD1034-LH	LH Aero-Nose Cap	1	
SKD1034-RH	RH Aero-Nose Cap	1	
HRP9003	8" Oval Sticker	1	
VFT1096	Wicker Bill	1	

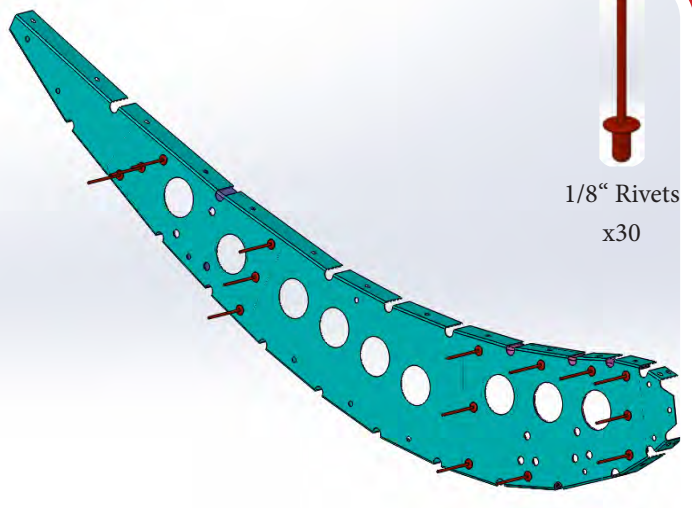
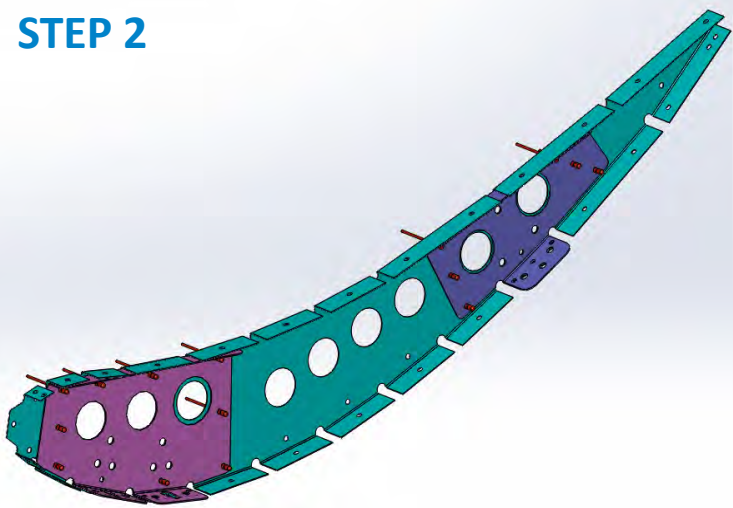
STEP 1



1/8" Rivets
x8

Rivet on x4 D-ZEUS Clip (13) to the Back Edge (12)

STEP 2

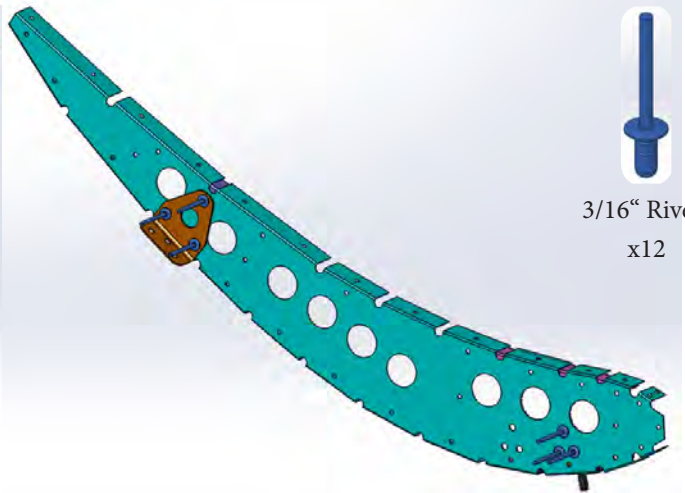
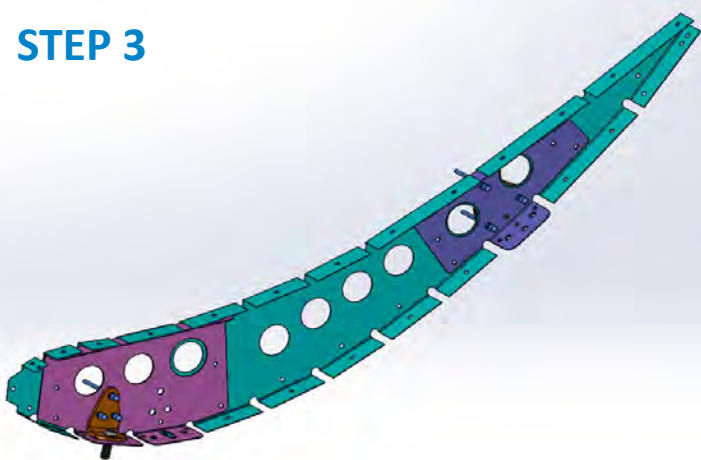


1/8" Rivets
x30

Rivet on the Front Bracket (3, 9) and Back Bracket (2, 11) to the DWF Profile (1, 8)

Repeat: 1x LH
1x RH

STEP 3

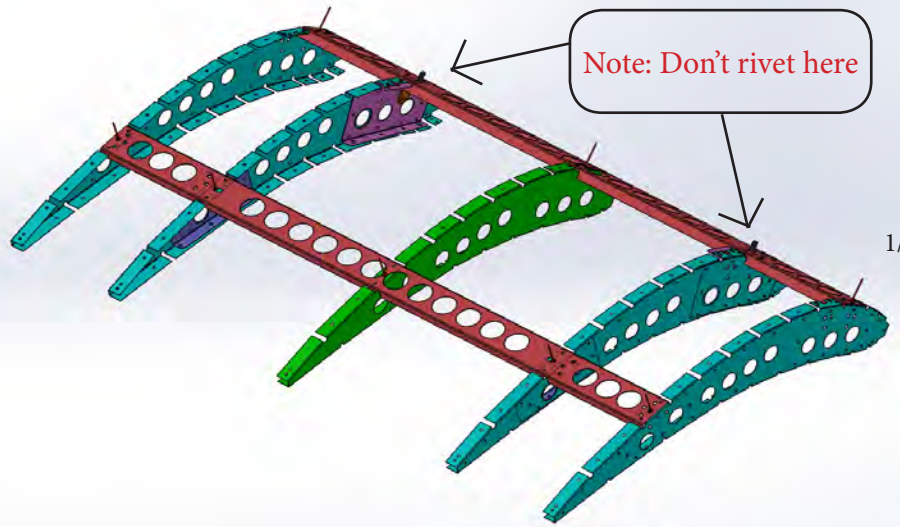


3/16" Rivets
x12

Rivet on the Back Mount (5) and Front Mount (6) to Step 2

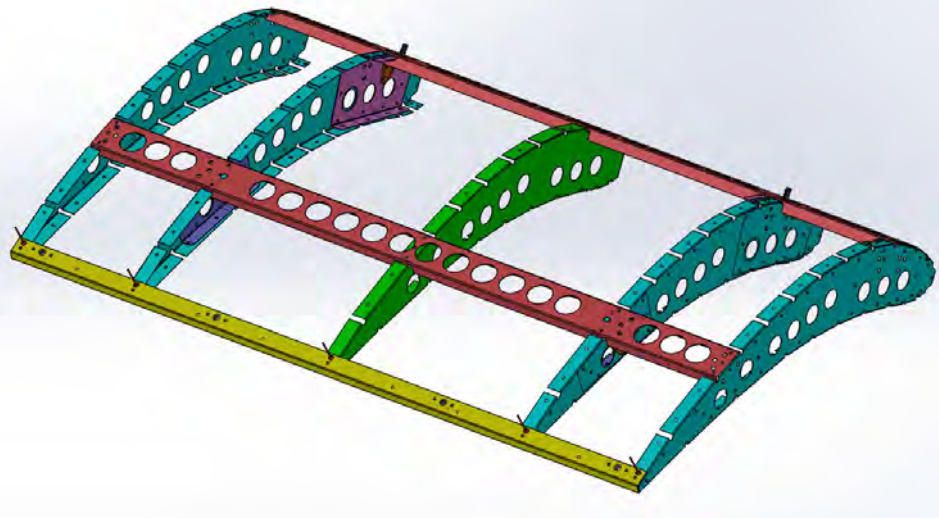
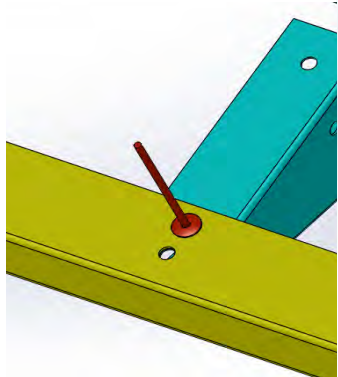
Repeat: 1x LH
1x RH

STEP 4



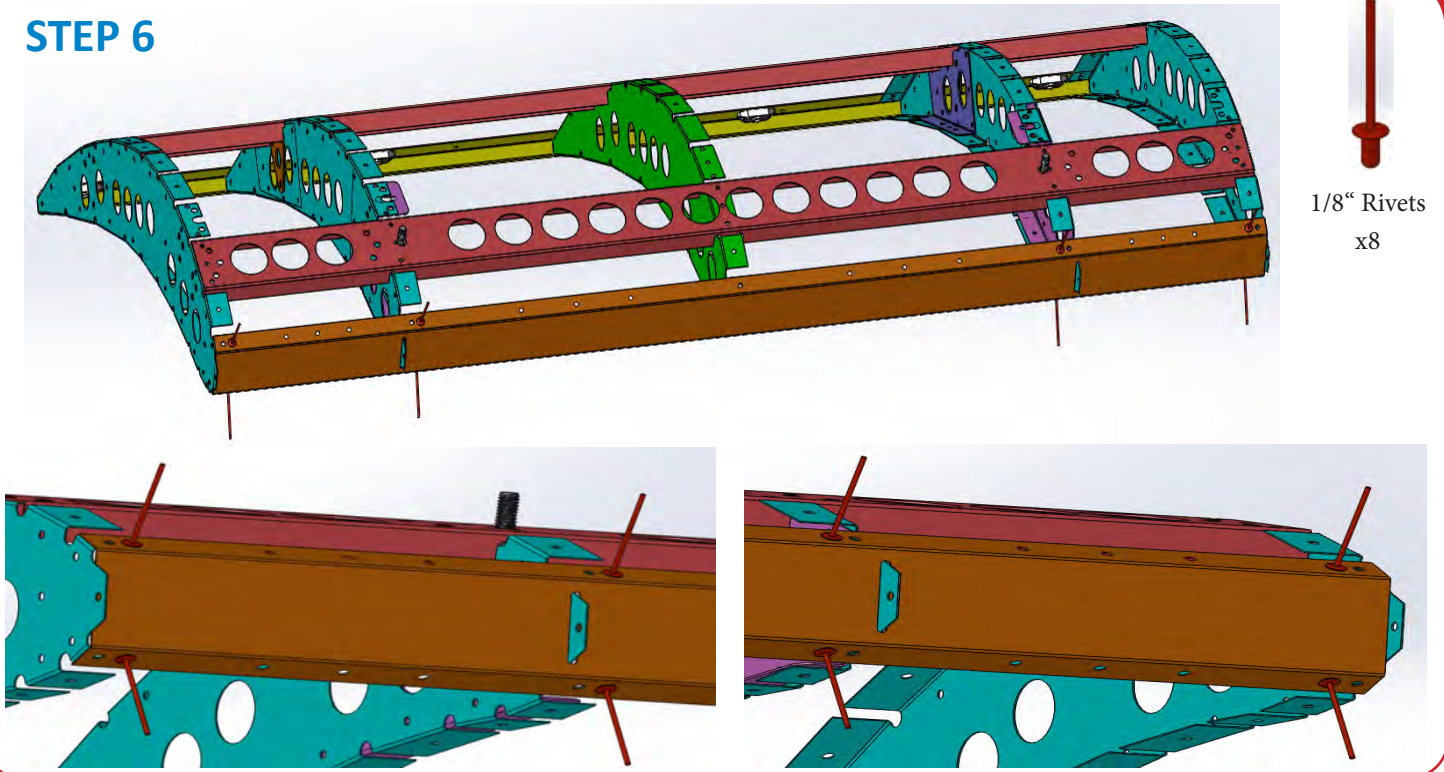
Rivet Step 3, the Center Profile (10), and the DWF Profile (1, 8) to the Cross Bracket (7)

STEP 5



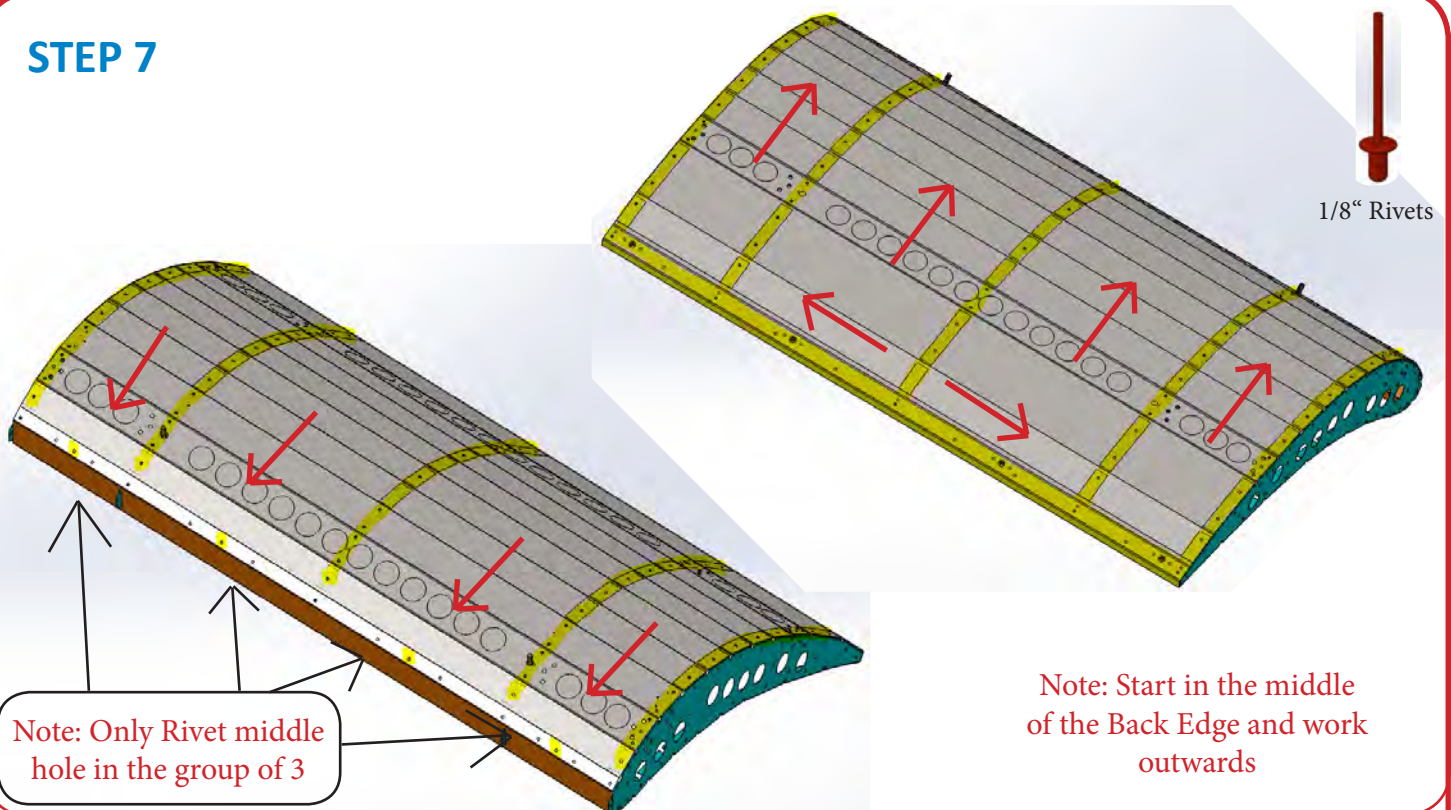
Rivet Step 1 to Step 4

STEP 6



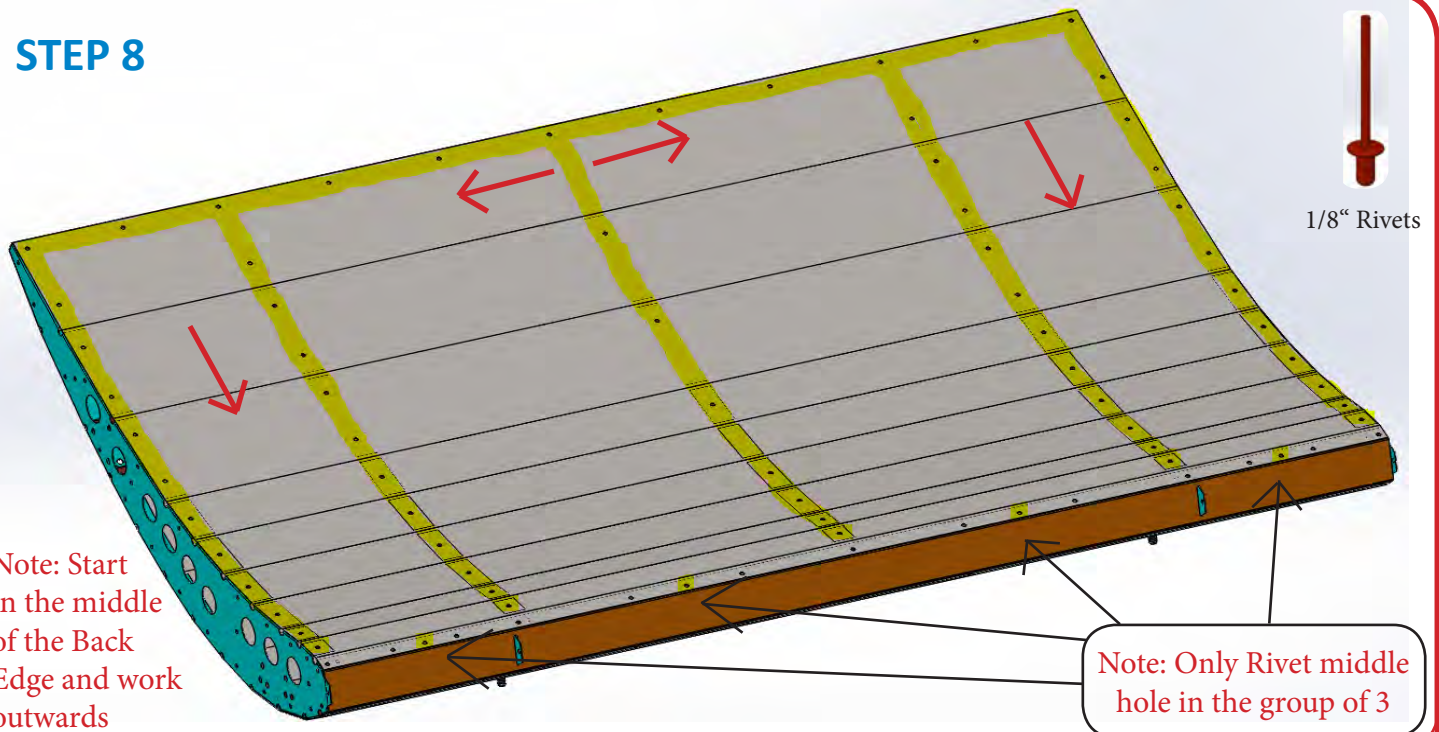
Rivet the Nose Backer (14) onto Step 5

STEP 7



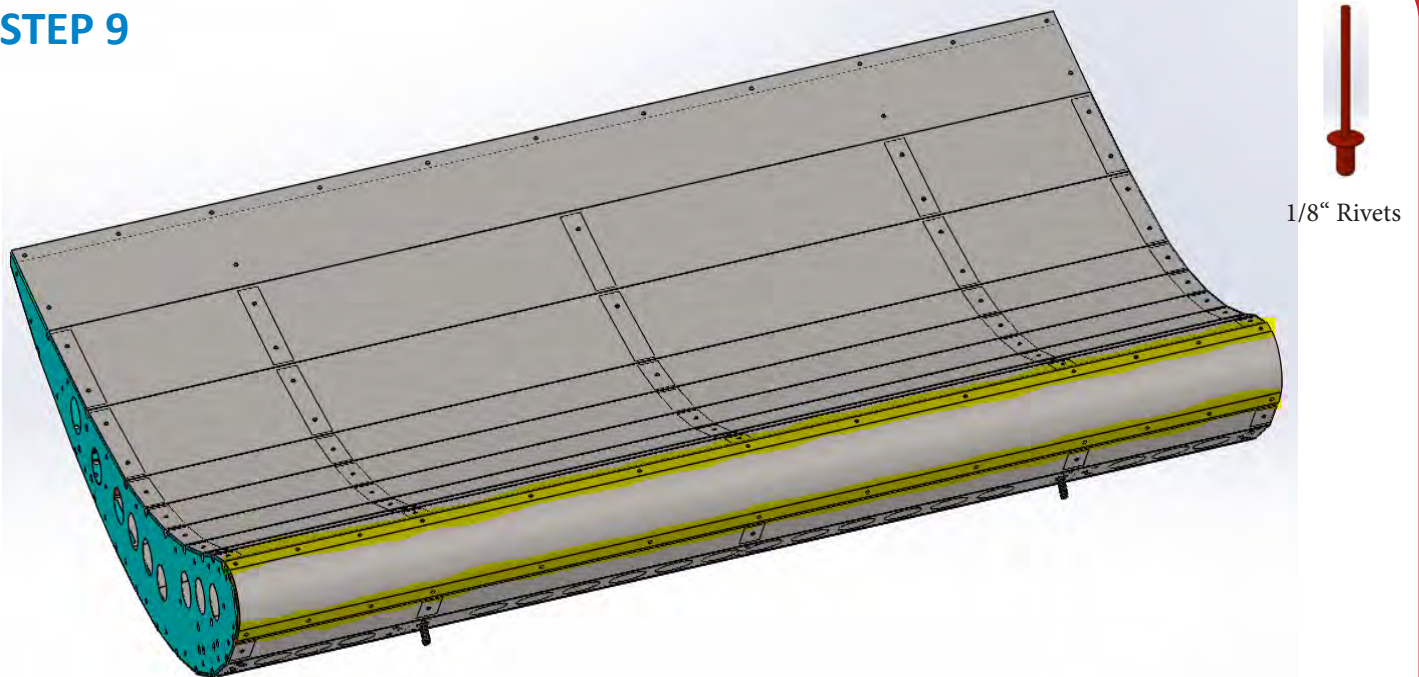
Rivet the Bottom Skin (15) to Step 6 by riveting the 1/8" holes highlighted

STEP 8



Rivet the Top Skin (16) onto Step 7 by riveting the 1/8" holes highlighted

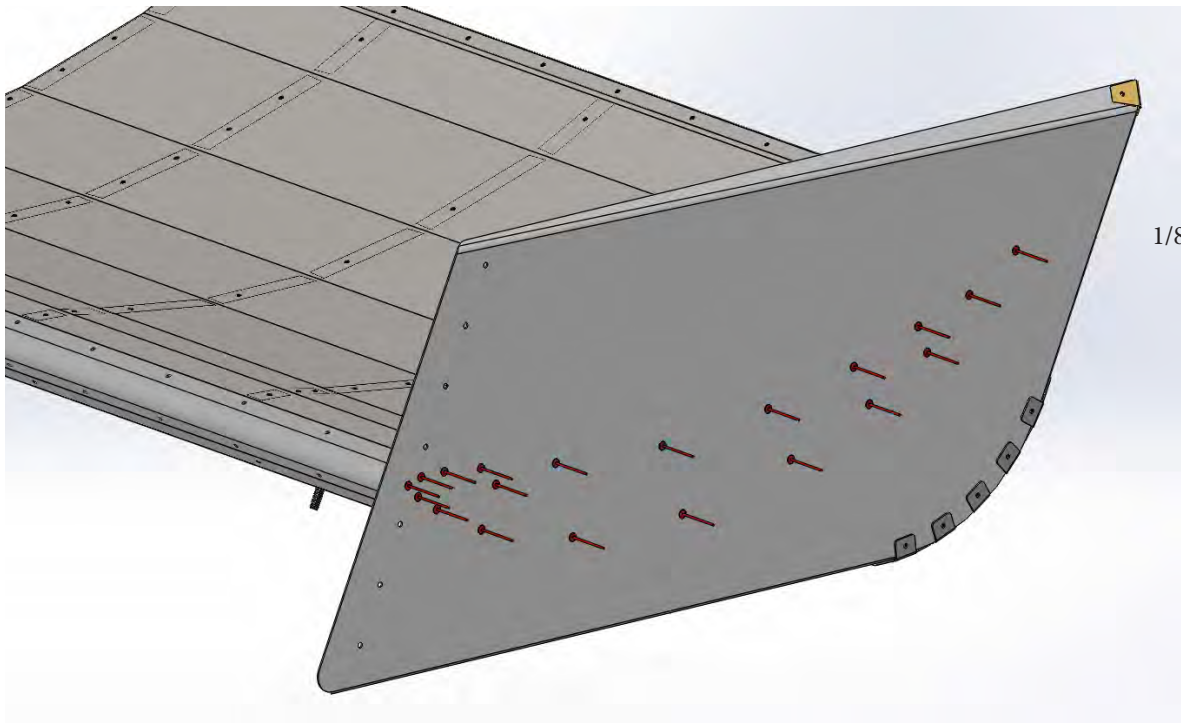
STEP 9



Rivet the Nose Cap (4) to Step 8 by riveting the 1/8" holes highlighted

Side Board Attachment

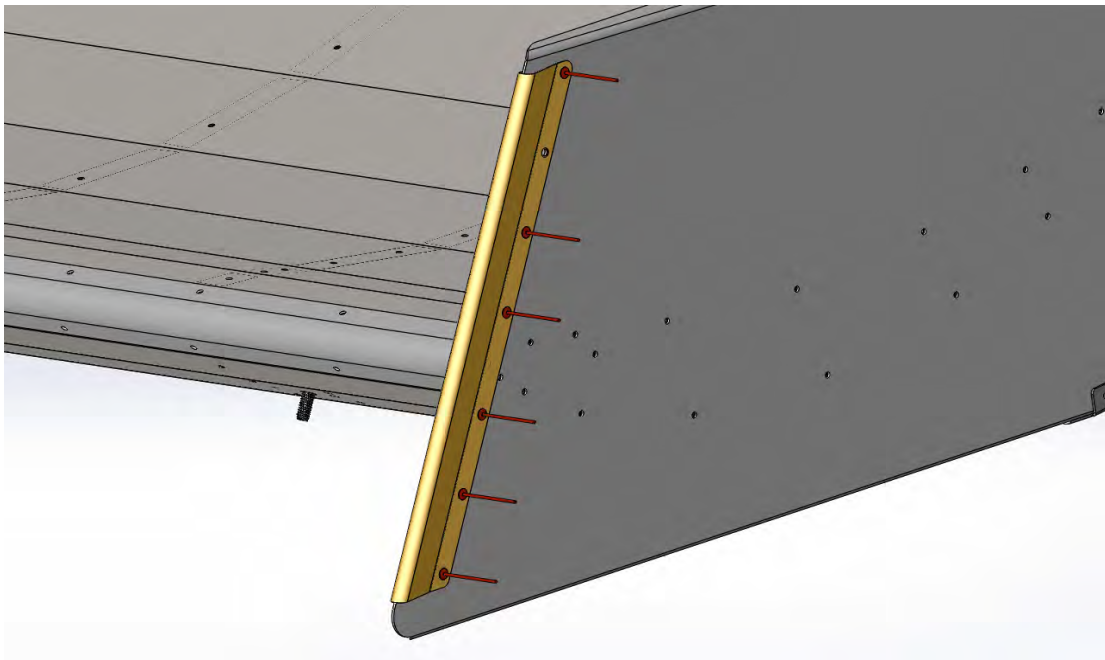
STEP 1



Rivet the Side Boards to the Nose Wing Center Assembly

Repeat: 1x LH
1x RH

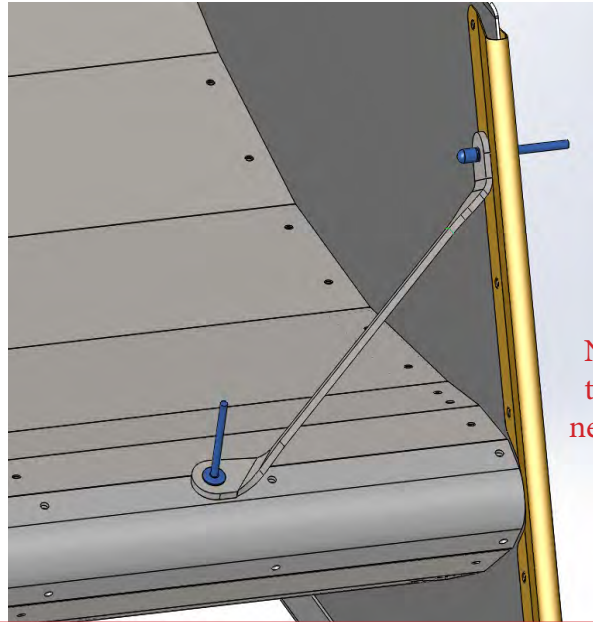
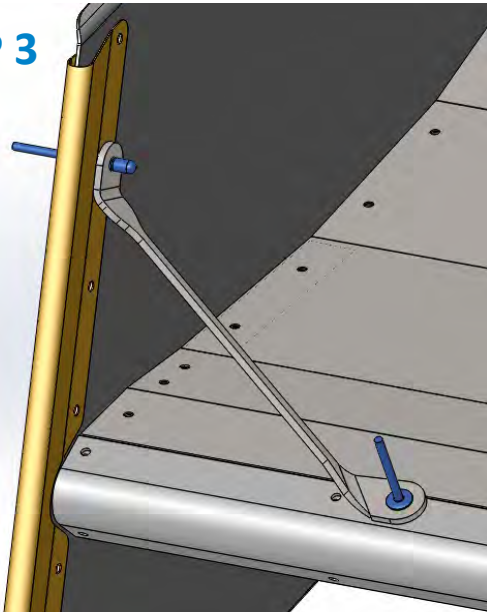
STEP 2



Rivet the Aero-Nose Caps to the Side Boards

Repeat: 1x LH
1x RH

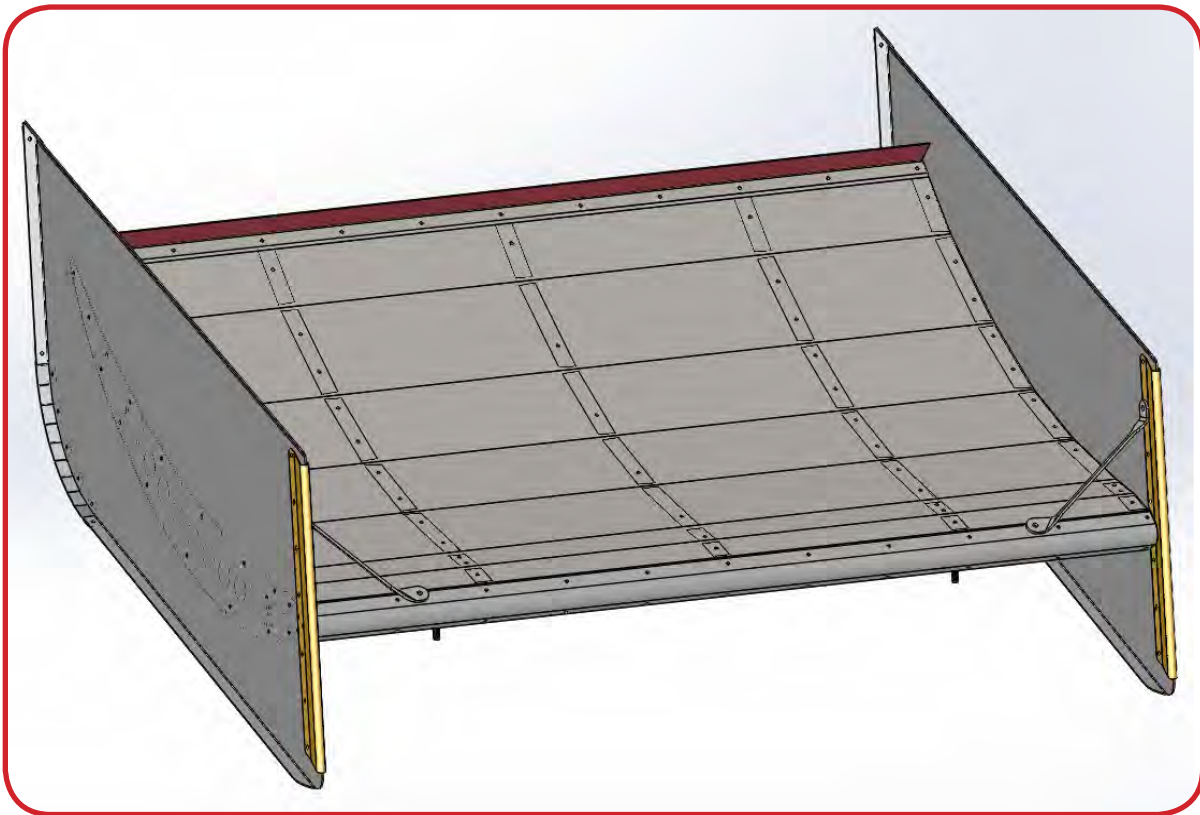
STEP 3



3/16" Rivets
x4

Note: Holes for
the Braces may
need to be drilled

Rivet each Brace to the Nose Wing Center Assembly and the Aero-Nose Caps Repeat: 1x LH
1x RH



Thank you for your purchase of our DWF Nose Wing. For any problems with assembly, or for assistance and clarification, please call (262)-457-5015 for help.



NO MATTER WHAT OR WHERE YOU RACE, WE GOT YOU COVERED!

SHOP & TRAILER ACCESSORIES

hrpracing.com



WEEKLY MAINTENANCE SHEET

GREASE

- Torque Ball
- Torsion Bars
- King Pins
- Rear Torsion Arm Bolts
- Front Torsion Arms
- Birdcage Bearings (4 Races)
- Swivel Coupler (6-8 Races)

CLEAN

- Air Filter
- Crankcase Breather
- Nozzles
- Fuel Filter
- Rear Axle Splines

GENERAL

- Adjust Valves
- Inspect Spark Plugs
- Reinstall Ing. Box & Tac
- Cut Open & Inspect Oil Filter
- Change Oil (4 Races)
- Check Water Level
- Oil, Assemble & Install Air Filter
- Square Rear End (4 Races or Contact)
- Install Correct Shocks
- Install Correct Bars
- Check Stop Bolts For Wear
- Check Fuel In Tank (10 gallons)
- Complete Bolt Check
- Install Correct Gear
- Check Gear Oil Level
- Check Brake Fluid Level
- Check Brake Pads & Rotors
- Install Seat Cushions
- Fill Fuel Jugs

TRAILER

- Clean Out Trailer
- Paper Towels
- WD-40
- Glass Cleaner
- Tear Offs
- Safety Gear
- Brake Cleaner
- Gas Can
- Kerosene

NOTES

INFO

Date _____
Finish _____
Track _____
Car _____
Engine _____
Rear End _____



Hepfner Racing Products
2133 Constitution Avenue
Hartford, WI 53027
(262) 457-5015